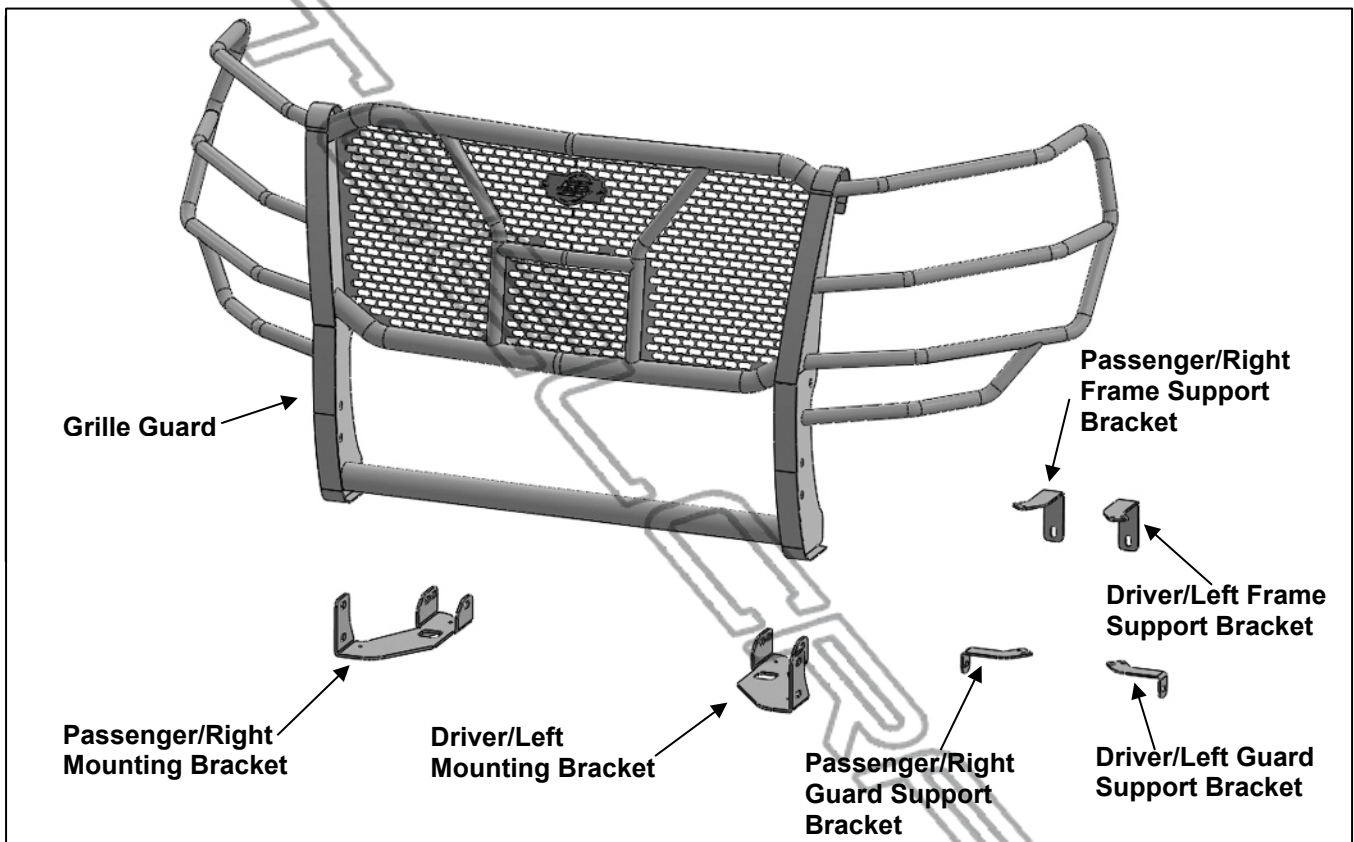


**EXTREME HEAVY-DUTY GRILLE GUARD  
2021-24 CHEVY TAHOE AND SUBURBAN**

**PARTS LIST:**

1	Extreme Heavy-Duty Grille Guard	10	12mm Lock Washers
1	Driver/Left Mounting Bracket	10	12mm Hex Nuts
1	Passenger/Right Mounting Bracket	2	10mm x 30mm Hex Bolts
1	Driver/Left Frame Support Bracket	4	10mm x 27mm OD x 3mm Flat Washers
1	Passenger/Right Frame Support Bracket	2	10mm Nylon Lock Nuts
1	Driver/Left Guard Support Bracket	4	8mm x 25mm Hex Bolts
1	Passenger/Right Guard Support Bracket	8	8mm x 16mm x 1.6mm Flat Washers
2	12mm x 30mm Double Bolt Plates	4	8mm Nylon Lock Nuts
2	12mm x 35mm Single Bolt Plates	2	Adhesive Foam Strips
4	12mm x 35mm Hex Bolts	1	2.5mm hex Wrench
14	12mm x 32mm OD x 3mm Flat Washers		



**PROCEDURE: REMOVE CONTENTS FROM BOX AND VERIFY ALL PARTS ARE PRESENT. READ INSTRUCTIONS CAREFULLY. CUTTING MAY BE REQUIRED. INSTALLATION MAY INTERFERE WITH FRONT MOUNTED SENSORS.**

1. Start installation from under the hood of the vehicle. Locate all hardware and remove the plastic cover and grille from the vehicle, **(Figures 1 & 2)**.
2. From inside the wheel well, locate the hardware connecting the front bumper to the wheel liner, **(Figure 3)**. Remove all wire harnesses connected to the front bumper, **(Figure 4)**.
3. Remove the plastic cover between the bottom of the bumper cover and the frame, **(Figure 5)**.
4. Remove the hardware connecting the front of the frame to the bumper, **(Figure 6)**. With assistance, remove the bumper and place on a clean flat surface.
5. Remove the plastic cover located under the grille, **(Figure 7)**.
6. Determine if the vehicle is equipped with tow hooks. **IMPORTANT:** Tow hooks cannot be reinstalled with the Grille Guard.

**Tow Hook equipped vehicles:**

- a. Remove the factory tow hook from the end of each frame channel.
- b. Trim the plastic as required to clear the Bracket, **(Figure 9)**. Repeat to check for clearance on passenger/right side of bumper.
- c. Proceed to **Step 7**.

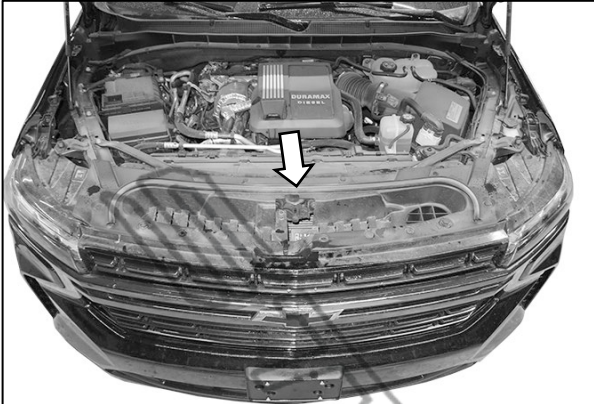
**Vehicles without tow hooks:**

- a. Cut out the indented area in both sides of the plastic bumper insert to clear the Brackets as pictured, **(Figures 8 & 9)**. **NOTE:** It may be easier to temporarily remove the plastic insert from the bumper to cut openings. **IMPORTANT:** Make several small cuts for best fit around Brackets. On some models, the plastic insert may be equipped with removable covers. Remove covers if equipped.
  - b. Check for clearance between Brackets and opening and trim the plastic as required to clear the Brackets.
  - c. Reinstall plastic insert if previously removed.
7. Select the Driver/Left Mounting Bracket. Line up the holes in the Bracket with the holes in the end of the frame channel for the tow hook. Select (1) 12mm Double Bolt Plate, **(Figure 11)**. Insert the Bolt Plate into the end of the frame and out through the (2) holes in the side of the frame and through the Bracket, **(Figures 11 & 12)**. Secure the Bracket to the Bolt Plate with (2) 12mm Flat Washers, (2) 12mm Lock Washers and (2) 12mm Hex Nuts. Do not tighten hardware.
  8. Repeat **Step 7** to install the 12mm Single Bolt Plate, **(Figure 11)**, into the single forward tow hook mounting hole in the other side of the frame channel and Bracket. Do not tighten hardware.
  9. Select the Driver/left Frame Support Bracket. Attach (1) Adhesive Foam Strip to the underside of the Frame Support Bracket, **(Figure 13)**.
  10. Reuse the factory bolt located behind the crossbar to attach the Driver/Left frame Support Bracket, **(Figure 14)**.
  11. Select the Driver/Left Guard Support Bracket. Attach the Guard Bracket to the Frame Bracket with (2) 8mm Hex Bolts, (4) 8mm Flat Washers and (2) 8mm Nylon Lock Nuts, **(Figure 15)**. Do not tighten hardware.
  12. Reattach the bumper and grille to the vehicle. Reattach all wire harnesses.
  13. Repeat **Steps 7—11** to attach the Passenger/Right Brackets.
  14. With assistance, hold the Grille Guard up in position on the outside of the Mounting Brackets. Attach the Guard to the Mounting Brackets with (4) 12mm Hex Bolts, (8) 12mm Flat Washers, (4) 12mm Lock Washers and (4) 12mm Hex Nuts, **(Figure 16)**. Do not tighten hardware.
  15. Attach the Guard to the Guard Support Brackets with (2) 10mm Hex Bolts, (4) 10mm Flat Washers and (2) 10mm Nylon Lock Washers, **(Figure 17)**. Do not tighten hardware.
  16. Check the Grille Guard alignment with the vehicle and for clearance between the Guard and the bumper. Adjust as required then fully tighten all hardware at this time.
  17. Do periodic inspections to the installation to make sure that all hardware is secure and tight.

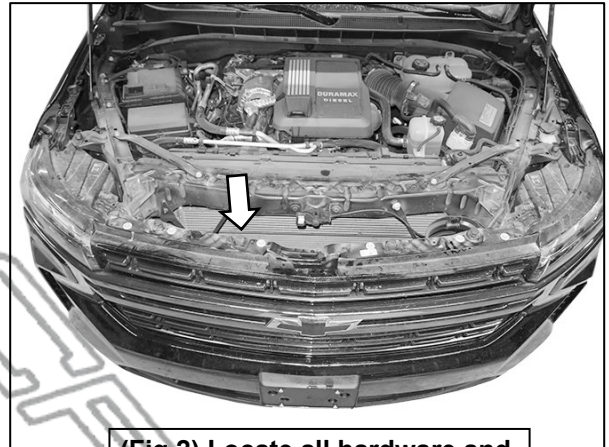
**To protect your investment**, Do not use any type of polish or wax that may contain abrasives that could damage the finish. Mild soap may be used to clean the Grille Guard.

**EXTREME HEAVY-DUTY GRILLE GUARD  
2021-24 CHEVY TAHOE AND SUBURBAN**

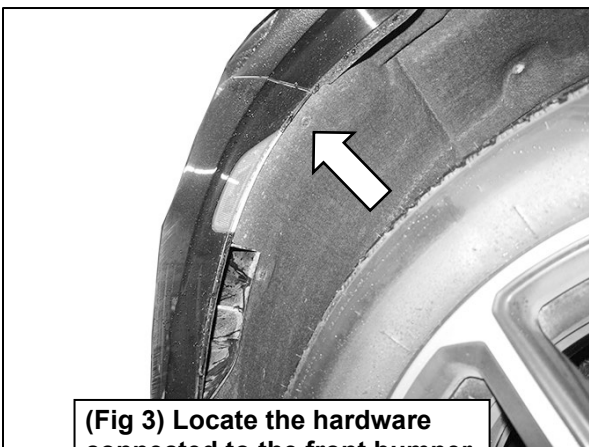
**Driver/left Side Installation Pictured**



**(Fig 1) Lift the hood and temporarily remove the upper plastic cover above the grille**

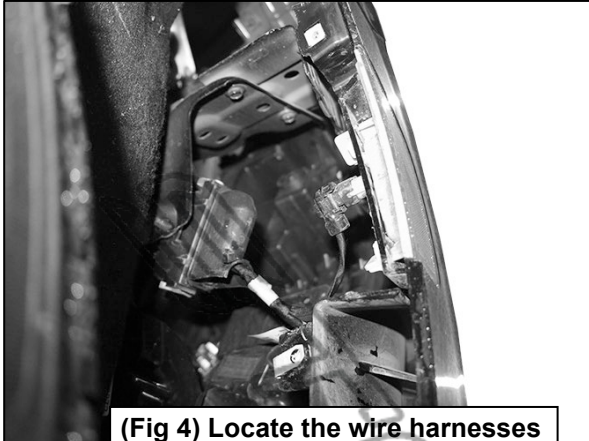


**(Fig 2) Locate all hardware and temporarily remove the grille**

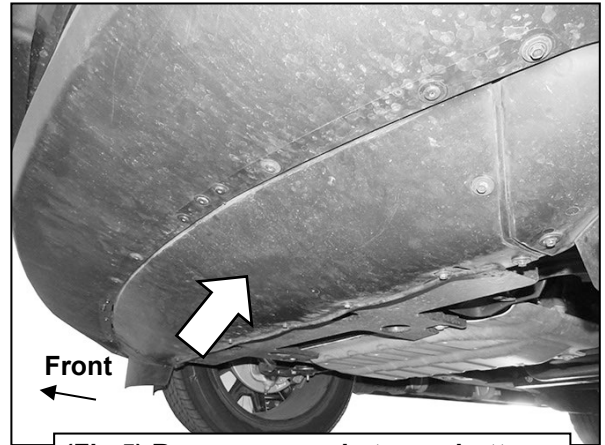


**(Fig 3) Locate the hardware connected to the front bumper and temporarily remove**

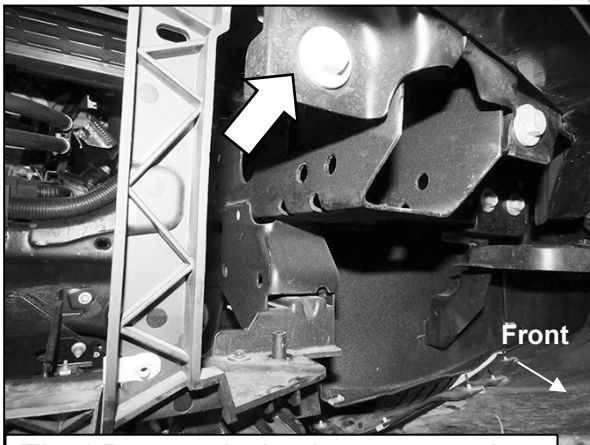
**Driver/left Side Installation Pictured**



**(Fig 4) Locate the wire harnesses connected to the front bumper and temporarily remove**



**(Fig 5) Remove cover between bottom of bumper cover and frame (arrow)**



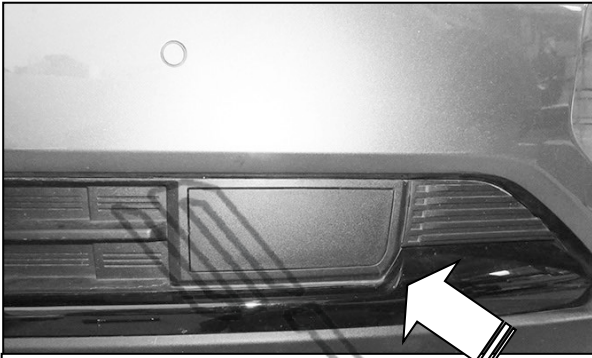
**(Fig 6) Remove the hardware connecting the bumper to the frame and vehicle**



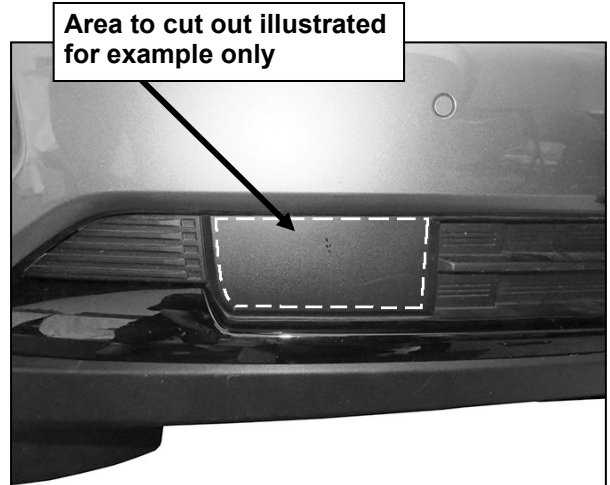
**(Fig 7) Temporarily remove the plastic cover located below the grille**

**EXTREME HEAVY-DUTY GRILLE GUARD  
2021-24 CHEVY TAHOE AND SUBURBAN**

**Driver/left Side Installation Pictured**

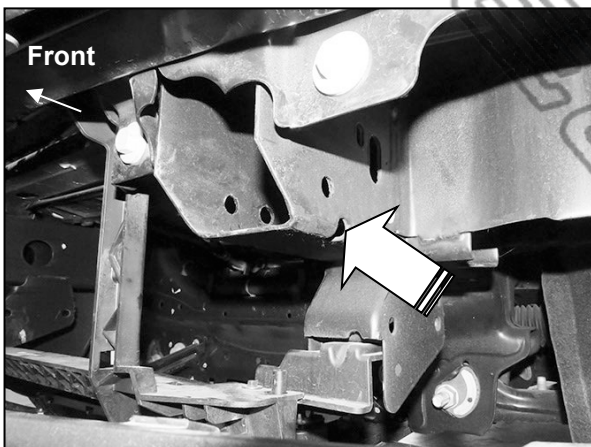


**(Fig 8) Example of model without tow hooks. Remove cover if equipped (arrow)**



**Area to cut out illustrated for example only**

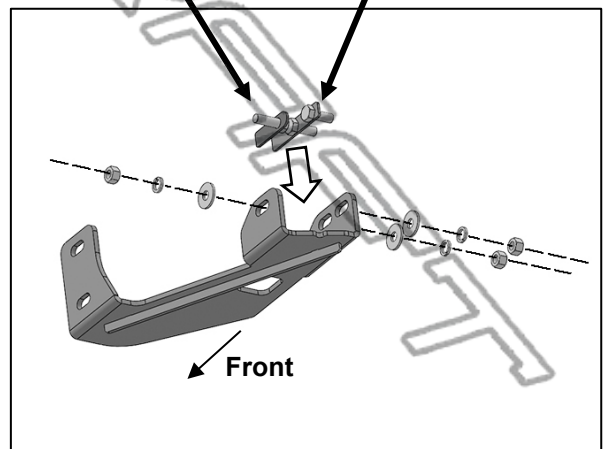
**(Fig 9) Models without tow hooks and without removable covers, (see fig 4), cut openings as required in center plastic panel for Brackets. If necessary, temporarily remove center panel to cut openings. Dashed line represents approximate area to cut. Passenger/right side of center panel pictured**



**(Fig 10) Driver/left outer mounting location (arrow) pictured from behind bumper**

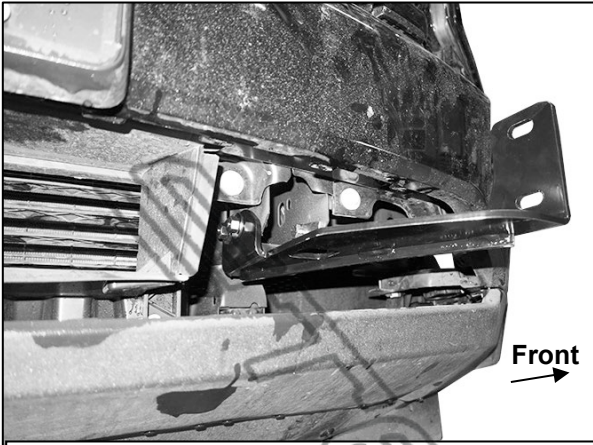
- (1) 12mm Single Bolt Plate
- (1) 12mm Flat Washer
- (1) 12mm Lock Washer
- (1) 12mm Hex Nut

- (1) 12mm Double Bolt Plate
- (2) 12mm Flat Washers
- (2) 12mm Lock Washers
- (2) 12mm Hex Nuts

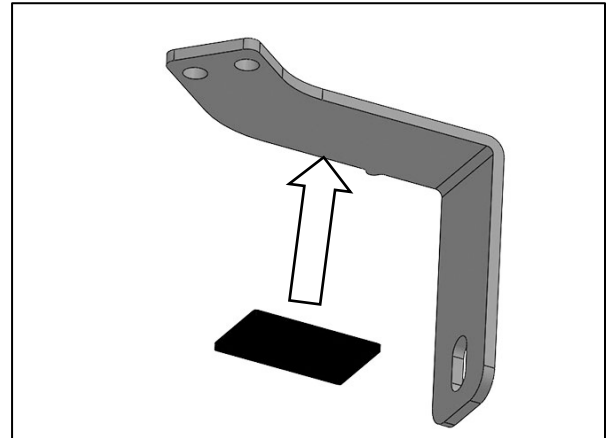


**(Fig 11) Attach the driver/left Mounting Bracket to the end of the frame**

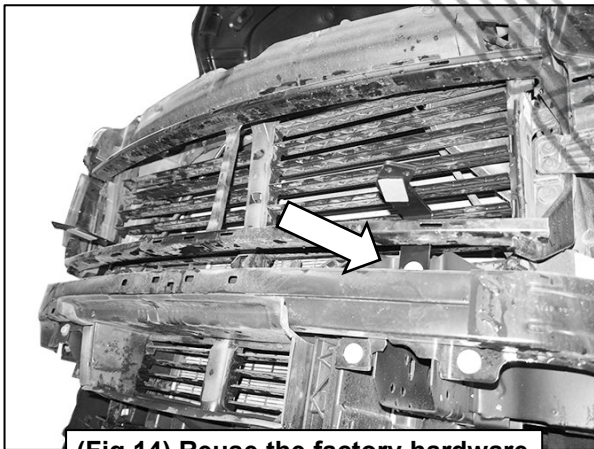
**Driver/left Side Installation Pictured**



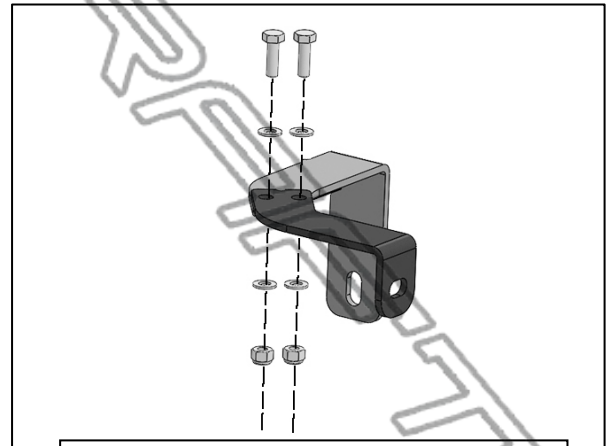
**(Fig 12) Driver/left Bracket installed. NOTE:  
Center panel in bumper pictured removed  
for instruction purposes only**



**(Fig 13) Attach (1) Adhesive Foam Strip to the  
underside of the Driver/Left Frame Support  
Bracket to protect the finish of the vehicle**



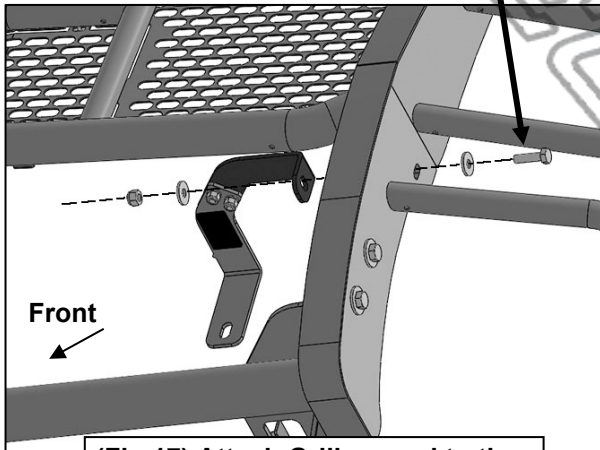
**(Fig 14) Reuse the factory hardware  
to attach the Driver/Left Frame  
Support Bracket to the frame**



**(Fig 15) Attach the Driver/Left Guard  
Support Bracket to the Frame Bracket**

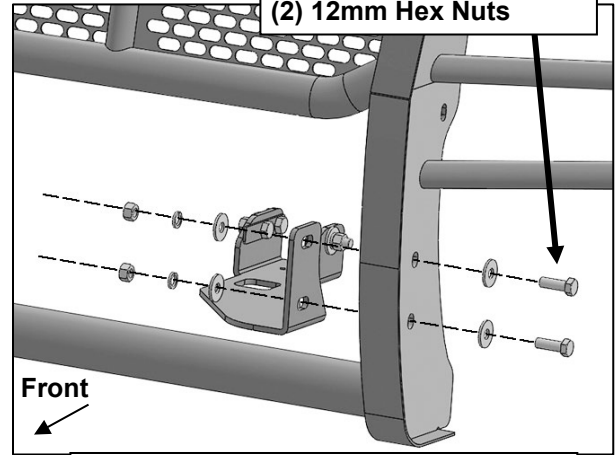
**EXTREME HEAVY-DUTY GRILLE GUARD  
2021-24 CHEVY TAHOE AND SUBURBAN**

- (1) 10mm Hex Bolt
- (2) 10mm Flat Washers
- (1) 10mm Nylon Lock Nut



**(Fig 17) Attach Grille guard to the Driver/Left Guard Support Bracket**

- (2) 12mm Hex Bolts
- (4) 12mm Flat Washers
- (2) 12mm Lock Washers
- (2) 12mm Hex Nuts



**(Fig 16) Attach Grille Guard to outside of the Driver/Left Mounting Bracket**